

ARCTIC
SNOW  **Le Maitre®**



Le Maitre Ltd.



LE MAITRE LTD - ARCTIC SNOW MACHINE

User Manual

Introduction

Thank you for choosing Le Maitre's Arctic Snow Machine. Prior to use, we suggest that you read all the instructions provided, you can then look forward to it's reliable and satisfactory performance.



DANGER OF ELECTRIC SHOCK!

- Keep the device dry and away from rain and moisture! Never open the housing!
- Always unplug your Arctic Snow Machine before filling its tank and turn off or unplug when not in use.
- Use a grounded electrical outlet only, prior to use take care to determine that the unit is installed at the rated voltage.
- Never aim the output nozzle directly at people or animals and locate the machine in a well-ventilated area.
- Never touch the device during the operation.



DANGER OF BURNING!

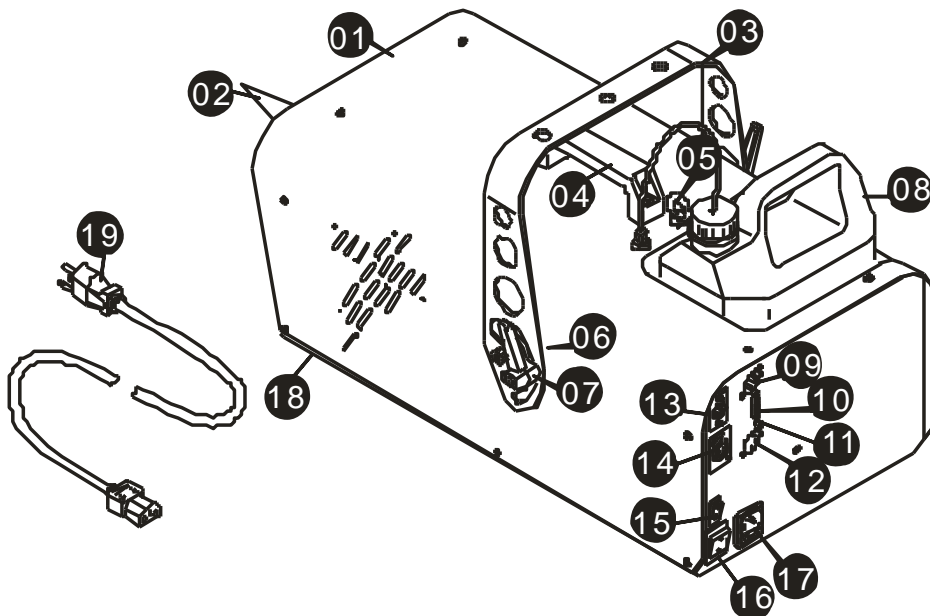
- Never add flammable liquids of any kind (oil, gas, perfume) to the snow liquid.
- Always use Le Maitre approved snow fluid to avoid damage to the unit and to ensure the machine works effectively.
- Always make sure there is sufficient liquid in the machine's liquid tank.

Contents

- Arctic Snow machine with power cable
- Volume remote controller
- Fluid tank
- Hanging bracket
- Screw set and user manual

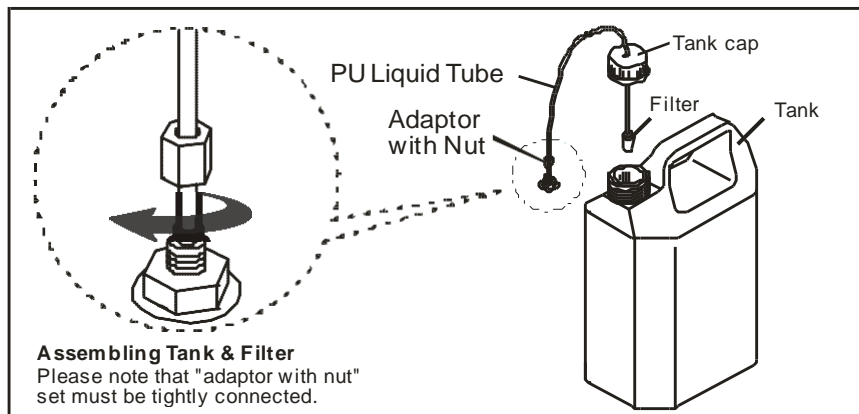
Arctic Snow external View

- | | |
|--|---|
| 1. Housing | 11. Indicator |
| 2. Escape Nozzle | 12. Control Outlet Socket (3-pin XLR for DMX) |
| 3. Hanging Bracket | 13. Control Inlet Socket (4-pin XLR for remote) |
| 4. Handle | 14. Control Outlet Socket(4-pin XLR for remote) |
| 5. Safety Ring | 15. Rocker Switch/Volume |
| 6. Washer | 16. Rocker Switch/Power |
| 7. Tightening Screw | 17. Power Inlet Socket |
| 8. Tank | 18. Foot |
| 9. Control Inlet Socket
(3-pin XLR for DMX) | 19. Power Cord and Plug |
| 10. DMX DIP Switches | |

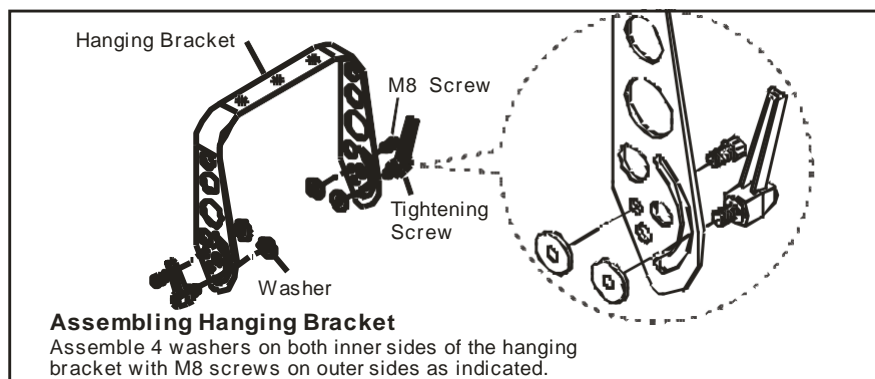


Setup

- Remove all packing materials including foam and plastic padding and place machine on a flat surface and follow step set up instructions.



- Assemble the hanging bracket on the machine, use the M8 screws to position the hanging bracket with the machine, the tightening screws are for adjusting the machine's angle when in the air.



- Fill with Le Maitre Snow Fluid and replace cap.
- Firmly attach the 4-pin connector on the remote control cable to the proper input on the rear of the machine.

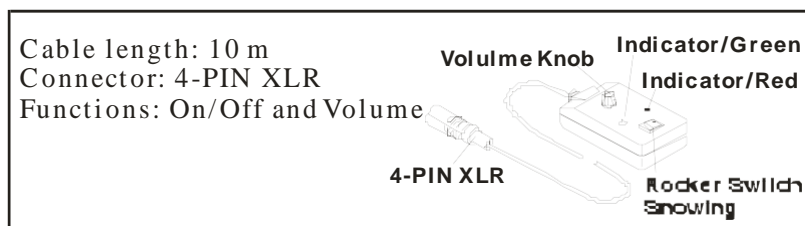
Installation Note

- This unit can be installed at floor level or suspended overhead where it will work at its best. When mounting the unit overhead, always ensure that the unit is secure, connected by the cable wires passing the safety ring. Do not angle at more than 15 degrees..
- Always monitor tank fluid level during operation as running the snow

machine without fluid can permanently damage the unit. If you experience low output, mechanical noise or no output at all, unplug immediately. Check the fluid level, the external fuse, remote connection and power from the wall. If all of the above appears to be working correctly plug the unit in again. If snow does not come out after holding the remote ON/OFF button down , check the hose attached to the tank to make sure there are no blockages in the hose.

Operation

- Plug the power cable into a grounded electrical outlet.
- Press the red power switch to turn on the machine and make sure the red indicator located above the power switch is lit.
- The units can be controlled by DMX or the volume remote control, see below.
- Connect the remote control's male 4-pin plug to the machines INPUT socket and make sure the red POWER indicator is lit.



- Press ON/OFF button, once the IN USE indicator lights up green the machine is ready to operate (during this procedure, the machine's fan and motors are operating.)
- Use the adjustable OUTPUT VOLUME on the volume remote controller to set an output value between 10% to 100%.
- Use the AIR VOLUME button located at the rear of the machine to adjust the fan output volume. When the fan output is increased the snow flakes produced are smaller, when the fan output is decreased, bigger snow flakes will be produced. The snow output volume will not be affected.

DMX Control

- Connect the DMX lead to the DMX-IN socket on the rear of the machine.
- Test the system by activating the machines selected DMX channel. When the channel value is increased the snow machine should produce snow at

a steadily increasing rate. The unit is OFF when a value between 0-5 is selected. It will reach 100% output once the channel is set to 255.

DMX protocol

0-5	OFF
6-255	ON

Addressing

Each device occupies 1 channel. To ensure that the control signals are properly directed to each device they will need to be addressed. This will need to be adjusted for each device by changing the DIP-switches as set out in the table below.

The starting address is defined as the first channel from which the device will respond to the controller. Make sure that you do not have any overlapping channels in order to control each device correctly and independently from any other fixture on the DMX data link. If two, three or more devices are addressed similarly, they will work similarly.

Occupation of the DIP-switches:

Setting the DMX-starting address:	DIP-switch no.	1	2	3	4	5	6	7	8	9
Device number & channels	Starting address	1	2	4	8	16	32	64	128	256
Device 1 - Channel 1	ON	▲								
	OFF		▽	▽	▽	▽	▽	▽	▽	▽
Device 2 - Channel 2	ON		▲							
	OFF	▽		▽	▽	▽	▽	▽	▽	▽
Device 3 - Channel 3	ON	▲	▲							
	OFF			▽	▽	▽	▽	▽	▽	▽
Device 4 - Channel 4	ON			▲						
	OFF	▽	▽		▽	▽	▽	▽	▽	▽
Device 5 - Channel 5	ON	▲		▲						
	OFF		▽		▽	▽	▽	▽	▽	▽

Maintenance

- Do not allow the snow liquid to become contaminated, replace caps on the liquid container and the snow machine tank immediately after filling.
- When storing the unit rinse the system with pure water and let it pump for at least 1-2 minutes to ensure a longer life-span of the motor and the nozzle.
- We strongly recommend that you regularly clean the residue around snow machines vent holes (on both sides of the machine) with a soft brush.

Technical Specifications

Model	Arctic Snow Machine
Power Supply	AC100/120/230/240V, 50-60Hz
Motor	600W
Output Volume	140 ml/min
Tank Capacity	5 Litres
Fluid Consumption	650 seconds/litre
10 meter Remote extension	EXT-6
DMX	ON-Board
Weight	12Kg
Dimensions (LxWxH)	525*276*228mm
Warm-up Time	N/A



Le Maitre Ltd
6 Forval Close
Wandle Way, Mitcham
Surrey, CR4 4NE
Tel: +44 (20) 8646 2222
www.lemaitreltd.com

Le Maitre Ltd
13975 Grand Valley Parkway
Las Vegas, NV 89165
Tel: +1 (702) 843 5080
www.lemaitreusa.com